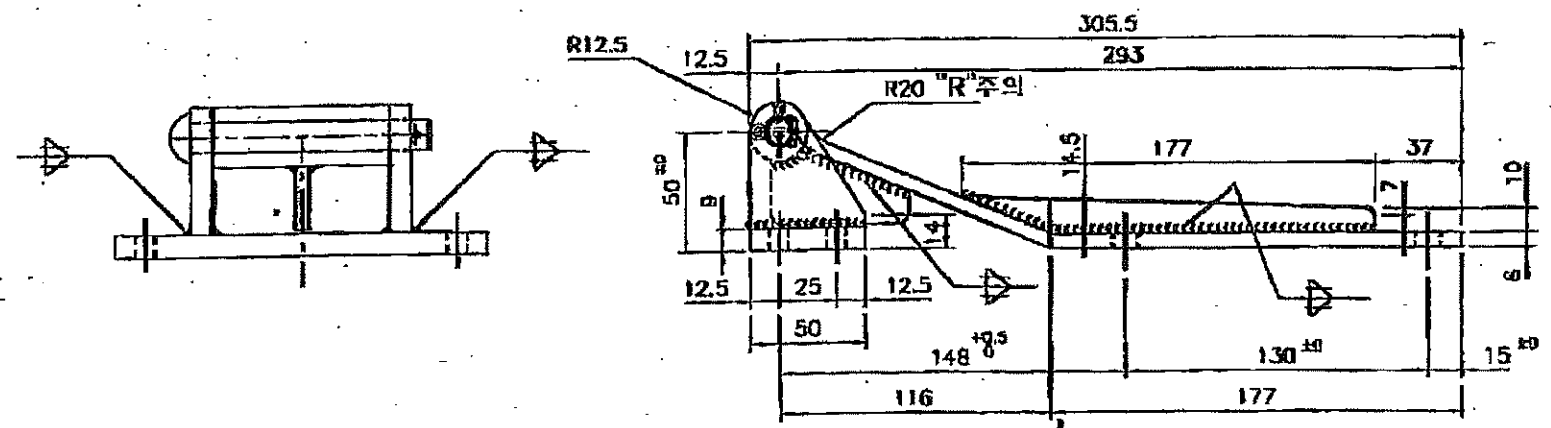
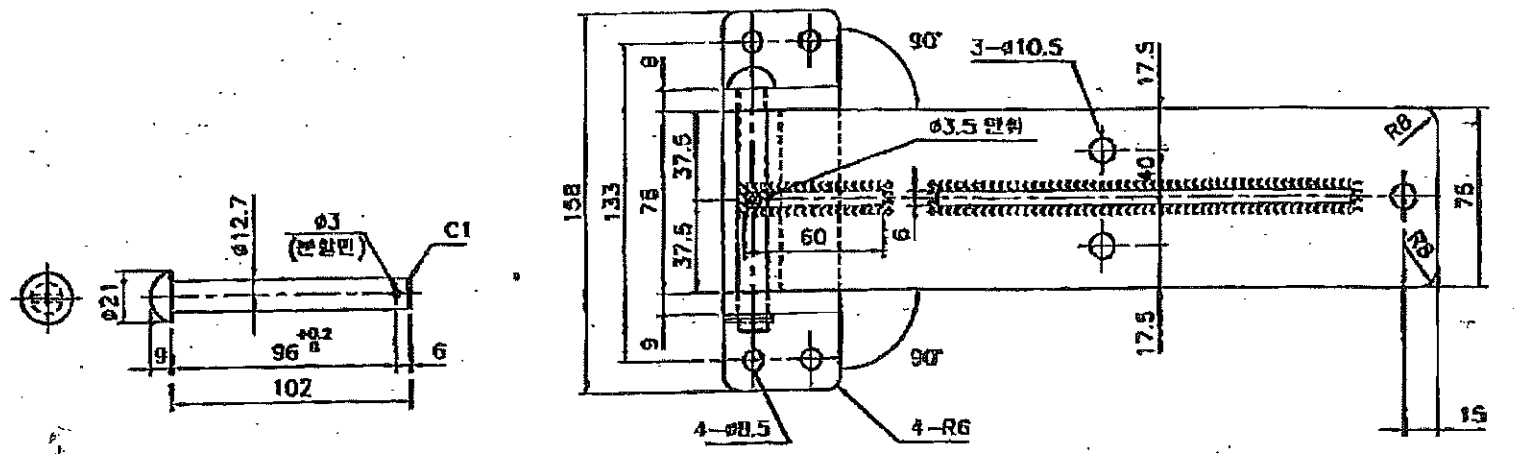


DRG. NO.



****NOTE****

- 1, Finish: Electro Zinc Plating
- 2, Weight: 2300g

1	REAR DOOR HINGE	SS41	1	61
NO	PART NAME	MAT'L	Q'T	SIZE
作成 date 99.7.20	3RD	尺	名	REAR DOOR HINGE
作成 DSG	CHK	SCALE	N	(270-1)
J.Y.H		N/S	A	8412
			E	
KOREA CORP		部品番號 NO. SP0313		

管理番號 : 2301